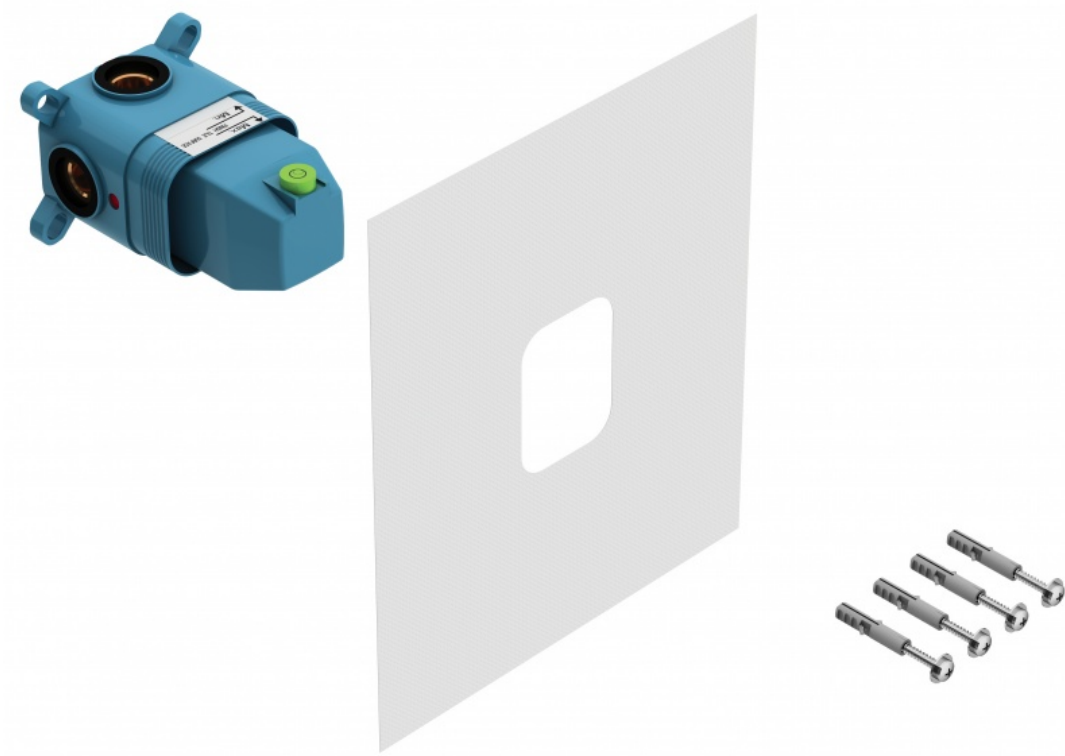
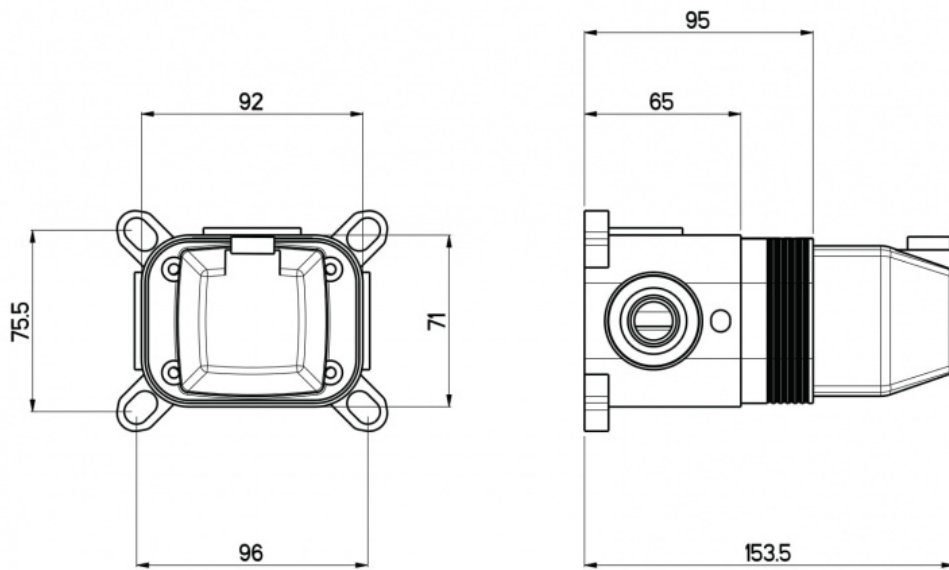




INSTALLATION KIT FOR CONCEALED SHOWER FAUCET 1 WAY





FCU.01.500.00N