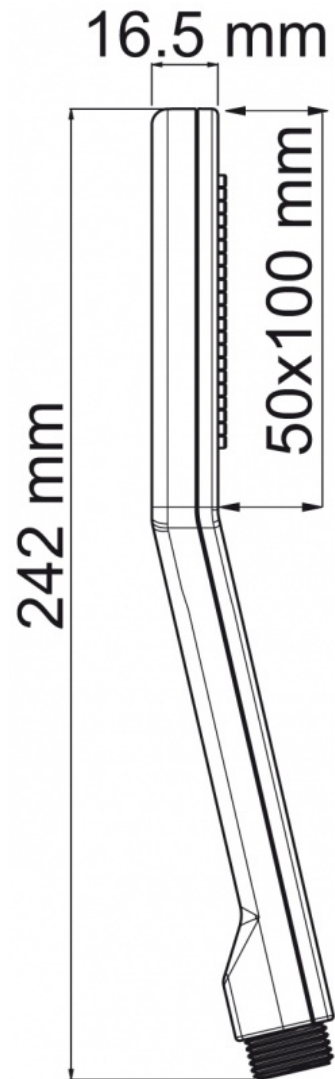


Hand showers

PEARL RECTANGULAR HAND SHOWER





D1305N

- Ultra slim design
- Minimalistic, timeless, clean design
- Chrome-plated spray plate
- 50x100 mm spray plate
- Nikles "Easy-to-Clean" technology
- Energy saving
- 12 l./min. flow limiter
- Chrome-plated

Color:
Chrome